



*ELITE Series*TM

PRESSURE WASHER

Illustrated Parts List

Questions? Help is just a moment away!

Preguntas? La ayuda es justa un momento lejos!

Call: **Pressure Washer Helpline**

Llame: **Línea Directa del Lavador a Presión**

1-800-743-4115 M-F 8-5 CT

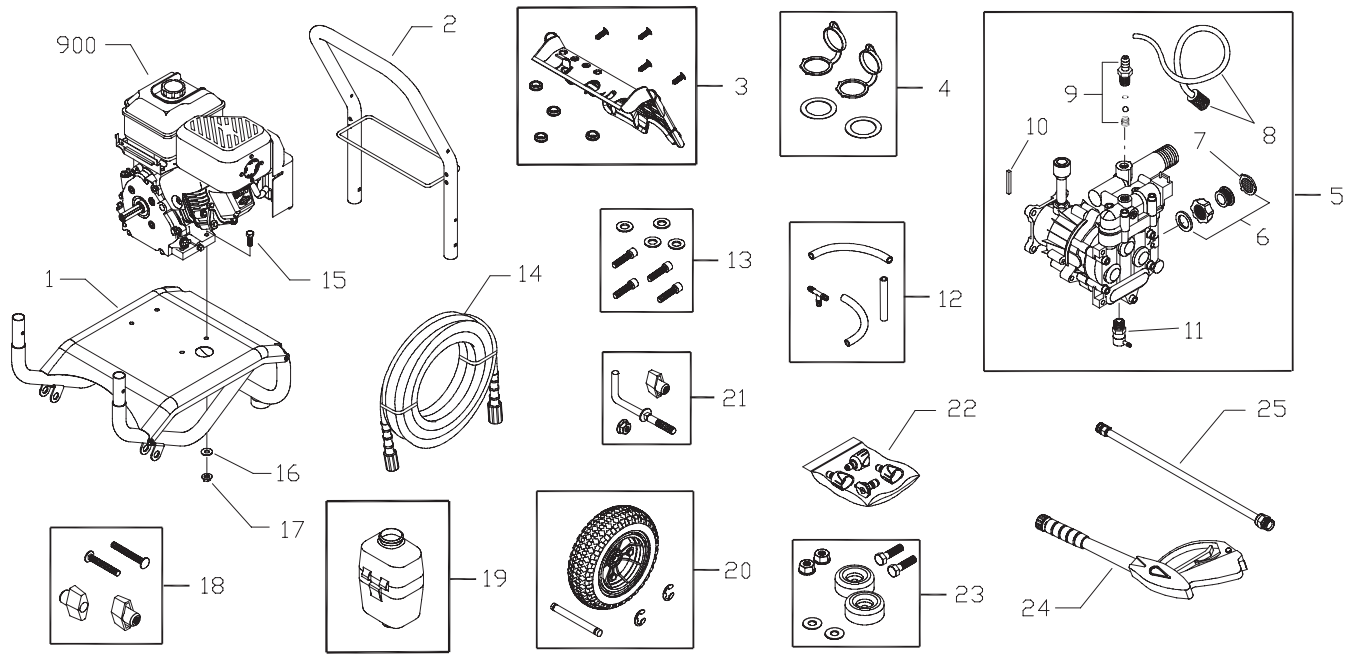
web: www.briggsandstratton.com

020263
(3100 PSI)

BRIGGS & STRATTON POWER PRODUCTS GROUP, LLC
JEFFERSON, WISCONSIN, U.S.A.

Manual No. 199097A
Revision F (05/01/2008)

EXPLODED VIEW AND PARTS LIST



Item	Part #	Description
1	195951GS	BASE, w/Mounts
2	203714GS	HANDLE, w/Wireform
3	196721GS	KIT, Billboard/Decals, w/Clips
	195964GS	Clip, Tree
	30809GS	Grommet
4	196843GS	KIT, Cap Chemical
5	198347GS	ASSY, Pump
6	190670GS	Kit, Water Inlet
7	B2384GS	Filter, Inlet
8	189971GS	Kit, Chemical Hose
9	190593GS	Kit, Chemical Injection
10	23139DGS	Key
11	194298GS	Valve, Thermal Relief
12	197968GS	KIT, Chemical Hoses
13	192131GS	KIT, Pump Mounting Hardware
14	185877GS	HOSE
15	*	HHCS, M8 - 1.25 x 40
16	*	WASHER, M8 Flat
17	*	NUT, M8 Lock
18	B2203GS	KIT, Handle Connector
19	195190GS	ASSY, Chemical Tank
	192980GS	Kit, Valve
20	197082GS	KIT, Wheel
	191265GS	E-Ring
	191267MGS	Axle
21	192128GS	KIT, Hook
22	195889GS	KIT, Nozzle
	198841GS	Nozzle, Plastic, Soap

Item	Part #	Description
	195842AAGS	Nozzle, QC, Project Pro, Red
	195842XGS	Nozzle, QC, Project Pro, Orange
	195842RGS	Nozzle, QC, Project Pro, Yellow
23	192310GS	KIT, Vibration Mount
24	196206GS	GUN
25	200595GS	EXTENSION, QC
900	§	ENGINE

Items Not Illustrated:

199097GS	MANUAL, Operator's
MS3430	MANUAL, Engine
199409GS	DECAL, Air Cleaner
196740GS	DECAL, Tank Fuel
196741GS	DECAL, Recoil
BB3061BGS	OIL BOTTLE
87815GS	GOGGLES
6048	KIT, O-Ring Maintenance
695755	KNOB, Throttle
194256GS	KIT, Tag Warning, w/Clip

Optional Accessories Not Illustrated

6039	PUMP SAVER
------	------------

§ - Contact Engine Manufacturer

* - Items without part numbers are common fasteners and are available at local hardware stores.

Copyright © 2008 Briggs & Stratton Power Products Group, LLC. All rights reserved. No part of this material may be reproduced or transmitted in any form by any means without the express written permission of Briggs & Stratton Power Products Group, LLC.